

## Xact Powerboat controls

The range of controls for mechanically operated engines has been developed with focus on ergonomics and safety. Easy to operate trim buttons and neutral safety switch are standard on all models. Pair that with a state of the art mechanism for smooth yet solid action, and you get a safe, robust and comfortable package.

This is the next generation of Xact controls, and replaces the previous versions.

### Top mount

Great ergonomics, stylish looks and a state of the art mechanism guarantees a smooth yet solid experience.

#### Features and benefits:

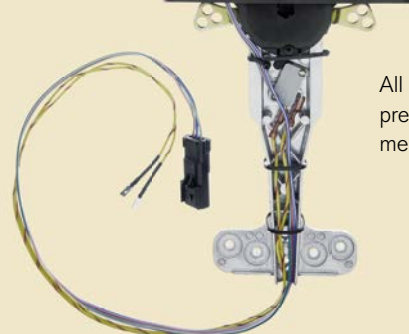
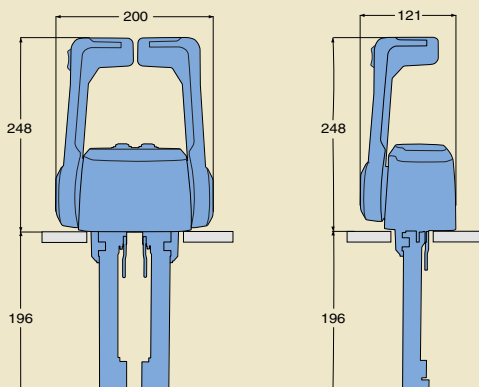
- Neutral warm up - Release button for warming up the engine in neutral position.
- Neutral safety switch - Electrical neutral position switch, prevents engine being started in gear.
- Trim and tilt button - Tactile switch for simple operation of the drives trim and tilt.
- Master trim and tilt - Tactile switch to trim both drives (twin drives only).
- Friction adjustment - Adjustable friction brake for fine tuning.



Part no	Description
22928974	Single Top Mount with Trim switch and extension harness
22928976	Top Mount Twin installation with Trim switches and extension harness
22903907	Side Mount with Trim switch, safety lanyard and extension harness
22928971	Side Mount with Trim switch and safety lanyard



Xact control cables available on page 22.



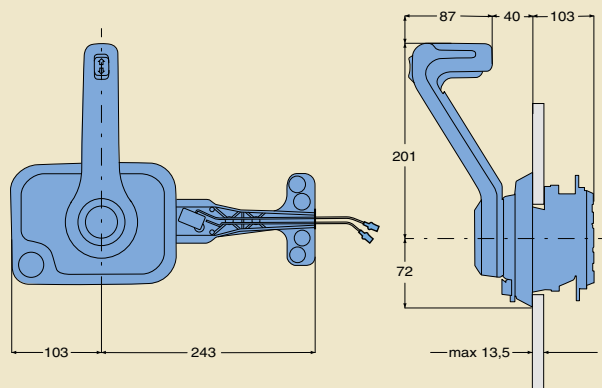
All controls have pre-mounted control mechanisms.

## Side mount

With top class ergonomics, neutral interlock and safety lanyard it's the perfect choice for single engine installations. Designed for starboard side mount.

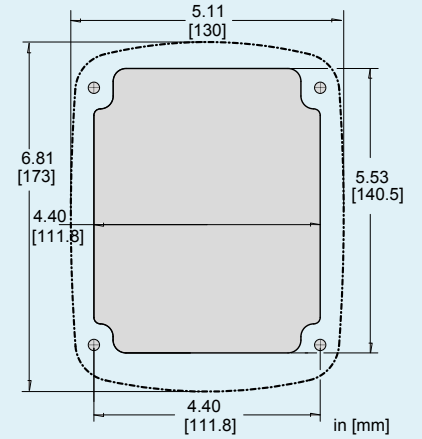
### Features and benefits:

- Neutral interlock - Mechanical neutral position lock, prevents unintentional gear change.
- Neutral warm up - Release button for warming up the engine in neutral position.
- Neutral safety switch - Electrical neutral position switch, prevents engine being started in gear.
- Trim and tilt button - Tactile switch for simple operation of the drives trim and tilt.
- Safety cut-off switch - Connected to the included lanyard for emergency engine shut down.
- Friction adjustment - Adjustable friction brake for fine tuning.

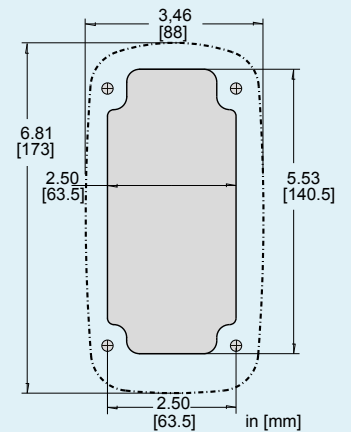


## HOLE PATTERNS/CUTOUTS

### Top mount twin



### Top mount



### Side mount

